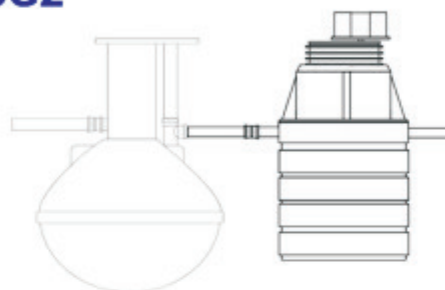


UNI:GEM

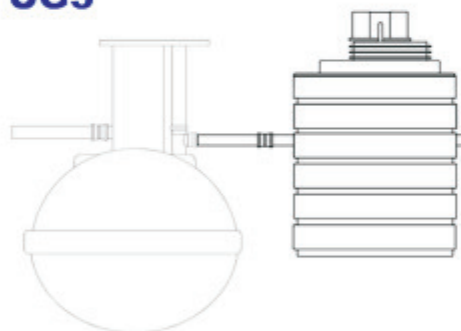
retrofit sewage treatment plants



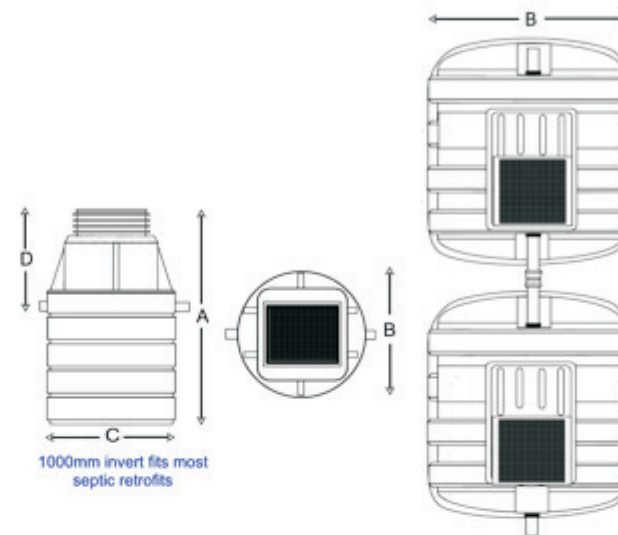
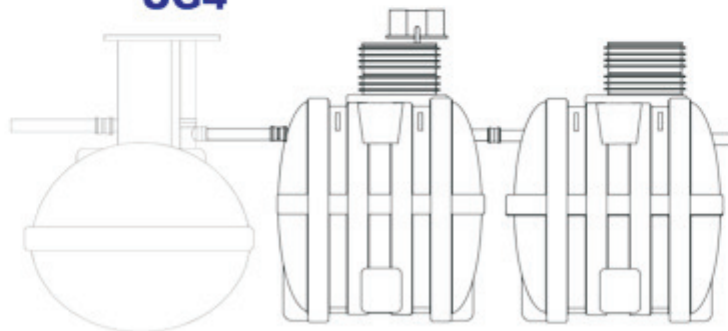
UG2



UG3



UG4



Reference	Population Equivalent	Height A	Width B	Length C	Inlet D
UG2	12	2100	1260	1260	1070
To be installed in minimum 150mm surround concrete only					
UG3	20	2100	1560	1560	1070
To be installed in minimum 200mm surround concrete only					
UG4	40	2850	2150	4700	1070
To be installed in minimum 250mm surround concrete only					

* UNIGEM is a retrofit polishing system used to give existing septic tanks an improved discharge or for improving the discharge standard of existing poorly performing sewage treatment plants. The population equivalent on the polishing plants may vary dependant on requirement. Please note the UNIGEM plant will require electricity to operate.

MARSH

T. 01933 653570
E. sales@marshindustries.co.uk
W. www.marshindustries.com